





# BANISH

 [banishsuppressors.com](http://banishsuppressors.com)

 877.904.5292

 [info@banishsuppressors.com](mailto:info@banishsuppressors.com)

# BANISH 45

## OWNER'S MANUAL



BANISH Suppressors has always had one overriding goal in mind - to make the most user-friendly suppressor on the market. And what is more user-friendly than being multi-caliber? At BANISH Suppressors, we are proud of what we've accomplished, and we want to share with you what makes a BANISH Suppressor stand out from the crowd.

Our unique WhisperTech™ tube is where the BANISH multi-caliber system starts, with a lightweight titanium alloy tube. BANISH Suppressors are light-weight and tough enough for a lifetime of service. The internal baffles handle the gas in such a way that the suppressor significantly reduces recoil as well as sound.



# WARNING

To provide for your safety and the effective use of this silencer, it is important that the owner and any user of the silencer read this entire manual and strictly follow the warnings and instructions within. This silencer should be used only by those who are well-versed in the safe operation of firearms.

Failure to follow installation and maintenance instructions in this manual may result in serious personal injury and damage to the firearm.

Suppressed firearms make less noise than unsuppressed firearms and it is easy to forget that they are still capable of causing bodily injury and property damage. Remember, a suppressed firearm should be treated with the same safety and caution as an unsuppressed firearm. Before installing the silencer, be sure that the firearm is unloaded and the action is opened and visibly clear of any ammunition. If you are at all unsure as to the proper procedures to ensure that your firearm is unloaded, please consult your firearm user's manual/instructions and/or contact a properly licensed dealer or the manufacturer of your firearm.

Firearm silencers are user-attached firearm muzzle devices, and as such are subject to improper attachment issues unless the procedures outlined in this manual are followed precisely.

Check the fit between your barrel and silencer before firing! The thread mount must be fully shouldered on the barrel. For direct thread silencers, there should be no visible gap between the barrel shoulder and the face of the silencer thread mount (crush washer from muzzle brake must be removed).

For quick detach suppressors, the muzzle brake must be seated to the shoulder of the firearm and timed properly using the shim kits provided.

If there is any gap DO NOT fire the host with the silencer attached. Poor accuracy and product damage may result if the silencer is not seated against thread shoulder.

Silencers must be free of obstructions such as mud, dirt, etc. DO NOT attempt to shoot through an obstructed silencer.

The silencer is designed to suppress the initial muzzle blast and subsequent projectile de-corking pressure. The silencer doesn't contact or otherwise interact with the bullet, allowing the projectile to travel at its default speed.

A sonic crack may be produced by the projectile as it breaks the sound barrier. This is solely a function of the projectile breaking the sound barrier and is not related to product performance.

To ensure your silencer remains secure while firing, it is of the utmost importance that you frequently verify the silencer is securely tightened onto the barrel. We recommend checking the security of the attachment after 5 discharges of the firearm and every 30 discharges thereafter.

Before removing the silencer from the host firearm, be sure that the firearm is unloaded, and the action is opened so that it is visibly clear of any ammunition. When removing the silencer, use extreme caution as it may be hot to the touch after firing. Use a Devour™ suppressor cover (sold separately) or gloves to avoid burns or other injuries.

Once the silencer is removed from the host firearm, BANISH recommends using a thread protector or other muzzle device to protect the muzzle threads and crown during storage or transport.

The BANISH 45 was specifically designed for handguns and will fit calibers from .45 ACP to rimfire. Testing shows that the BANISH 45 is able to suppress a 9mm pistol an amazing 36 decibels, far more sound reduction than the competition.

The BANISH 45 is the lightest in its class at a mere 9.6 ounces in the compact configuration. Ideal for 3-gun or target shooting, the BANISH 45 will help protect the hearing of the shooter and others in a shooting competition and reduce recoil for quicker second shot target acquisition.

The BANISH 45 comes as a 8.6" suppressor holding 12 STifle™ baffles, yet for tighter shooting platforms can easily break down and assemble into a 6.7" configuration with only eight baffles.

Perfect for the range, and also a plus for competition and home defense, the Banish 45 will significantly reduce the report and recoil of your handgun. This multi-caliber, user serviceable and modular design makes it the one to fit any handgun.



## SPECS

**LENGTH:** 6.7" or 8.6" | **DIAMETER:** 1.375" | **WEIGHT:** 9.6 or 11 oz | **MATERIAL:** TITANIUM

**THREAD PITCH:** 5/8x24 | **CALIBER:** .45 | **CALIBER RANGE:** Rimfire - .45ACP

**COLOR:** Black or FDE | **FINISH:** GUN KOTE | **FULLY AUTO RATED:** YES

**SOUND REDUCTION:** UP TO 36 DB | **MOUNT STYLE:** DIRECT THREAD PISTON

**LIFETIME WARRANTY:** YES | **PISTON SIZE:** .578x28 | **NUMBER OF BAFFLES:** 8 or 12 | **SELF-SERVICE:** YES

# INSTALLATION OF SUPPRESSOR

Always ensure the firearm is unloaded when attaching or removing suppressor. After confirming that your firearm is unloaded, place the threaded end of the BANISH 45 in line with the threads of the barrel.

Ensure the threads on the barrel and suppressor are clean and undamaged, screw the suppressor onto the barrel threads until the suppressor firmly seats against shoulder.

Take special care to avoid cross-threading as damage to the suppressor and barrel threads will result, as well as misalignment of the suppressor with the bore of the firearm.

This may result in a potential baffle strike that could cause serious personal injury and damage to both the firearm and suppressor. Since direct thread mounted suppressors can loosen or unscrew during firing, it is extremely important that the operator frequently checks that the silencer remains securely threaded to the barrel.

Please note, the suppressor will be very hot during and after firing. Wait until the suppressor cools or use a heat resistant fabric to retighten.

Hand tighten only. Ready for use.



# INSTALLATION OF SUPPRESSOR

Always ensure the firearm is unloaded when attaching or removing suppressor. After confirming that your firearm is unloaded, place the threaded end of the BANISH 45 in line with the threads of the barrel.

Ensure the threads on the barrel and suppressor are clean and undamaged, screw the suppressor onto the barrel threads until the suppressor firmly seats against shoulder.

Take special care to avoid cross-threading as damage to the suppressor and barrel threads will result, as well as misalignment of the suppressor with the bore of the firearm.

This may result in a potential baffle strike that could cause serious personal injury and damage to both the firearm and suppressor. Since direct thread mounted suppressors can loosen or unscrew during firing, it is extremely important that the operator frequently checks that the silencer remains securely threaded to the barrel.

Please note, the suppressor will be very hot during and after firing. Wait until the suppressor cools or use a heat resistant fabric to retighten.

Hand tighten only. Ready for use.



# DISASSEMBLY AND CLEANING

It is recommended that the suppressor be cleaned every 250 - 500 rounds fired, more often (every 100) with rimfire ammunition.

To disassemble make sure the firearm is unloaded and remove from host firearm.

Unscrew piston cap (L) and remove piston (I) and spring (J).

Unscrew end cap (A), piston housing (H), and extension tube (E) from the main tube (G). Note: Blue baffles are installed into the extension tube and end cap prior to assembly.

When using the Banish 45 on firearms with a fixed barrel (not slide action pistols), a fixed barrel spacer\* (N) should be used in place of the spring. Remove the existing spring that is placed over the piston (J). Install the wave spring (M) and fixed barrel spacer (N) as shown over the piston. Secure the assembly by installing the piston cap.

\*Fixed Barrel Spacer sold separately

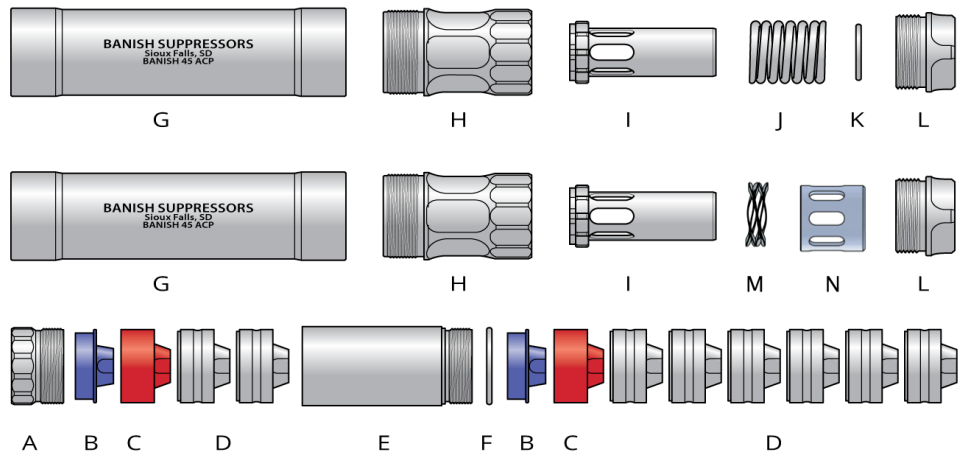
Using your solvent of choice, spray the inside of both tubes and let soak before removing baffles.

Place the tubes on a soft wood block and tap baffles out of the main tube (G) and the extension tube (E) using a wooden dowel and small hammer.

Use a stiff bristle brush (brass or nylon) with solvent / carbon killer of choice to clean the baffles and inside the tube.

Make sure all parts are clean and solvent has been removed.

ITEM NO.	PART NO.	QTY.
A	END CAP	1
B	BAFFLE - BLUE	2
C	BAFFLE - RED	2
D	BAFFLE - BLACK	8
E	EXTENSION TUBE	1
F	O-RING H70-025	1
G	MAIN TUBE	1
H	PISTON HOUSING	1
I	.578 PISTON	1
J	BUFFER SPRING	1
K	O-RING H70-018	1
L	PISTON CAP	1
M	WAVE SPRING	1
N	FIXED BARREL SPACER	1



\*Note: Don't remove O-Rings, part listed for replacement needs only.

# ASSEMBLY – FULL LENGTH

Place the spring (J) over the piston (I) and slide into the piston housing (H), ensure the end of the piston fits in the gear shaft. Then attach the piston cap (L). Apply anti-seize to interior threads of the main tube.

Hold the main tube (G) with the engraved text as you would read it (not upside down) and thread the piston assembly into the main tube (G). The piston assembly will be on the right side as shown in the diagram on the opposite side of this page.

Using a flat surface, stack six black baffles on top of one red baffle. Each of the black baffles (D) and red baffles (C) have exterior witness lines and small alignment features machined into the end of the baffle to maintain exhaust port alignment.

Ensure each baffle is lined up and the index tabs are engaged.

Place the main tube (G) with attached piston assembly over the baffle stack, slide the tube to the edge of a surface and flip it to the other end (use your finger to hold the baffles in place).

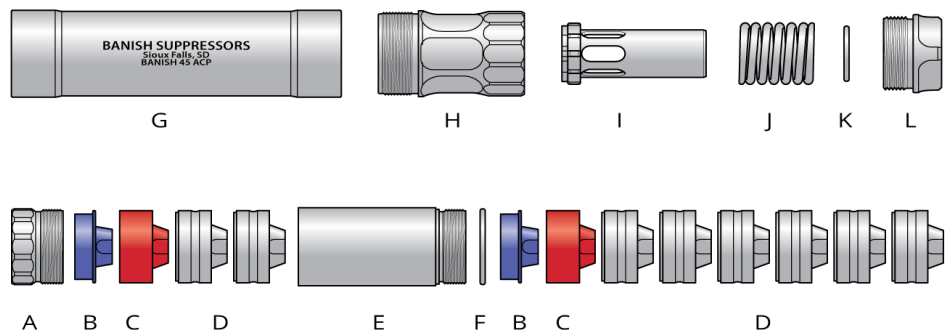
Thread the extension tube (E) into the assembled main tube.

Note: The blue baffle (B) should be installed into the extension tube (E) prior to assembly onto main tube.

Stack two black baffles (D) on top of one red baffle (C). Place the assembled tube over the baffle stack, slide the tube to the edge of a surface and flip it to the other end (use your finger to hold the baffles in place) and attach the end cap. Note: The blue baffle (B) should be installed into the extension tube (E) prior to assembly onto main tube.

Hand tighten. Ready for use.

ITEM NO.	PART NO.	QTY.
A	END CAP	1
B	BAFFLE - BLUE	2
C	BAFFLE - RED	2
D	BAFFLE - BLACK	8
E	EXTENSION TUBE	1
F	O-RING H70-025	1
G	MAIN TUBE	1
H	PISTON HOUSING	1
I	.578 PISTON	1
J	BUFFER SPRING	1
K	O-RING H70-018	1
L	PISTON CAP	1



\*Note: Don't remove O-Rings, part listed for replacement needs only.

# ASSEMBLY – COMPACT

From full length assembly, simply remove the end cap (A) and extension tube (E) from the main tube and reattach the end cap directly to the main tube.

To assemble from take-down - Place the spring (J) over the piston (I) and slide into the piston housing (H), ensure the end of the piston fits in the gear shaft. Then reattach the piston cap (L). Apply anti-seize to interior threads of the main tube.

Hold the main tube (G) with the engraved text as you would read it (not upside down) and thread the piston assembly into the main tube (G). The piston assembly will be on the right side as shown in the diagram on the opposite side of this page.

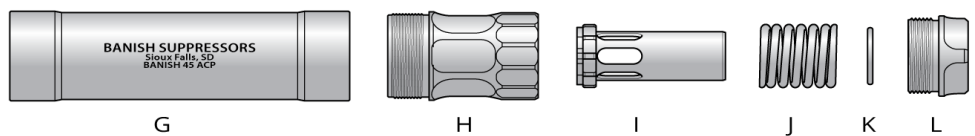
Using a flat surface, stack six black baffles on top of one red baffle. Each of the black baffles (D) and red baffles (C) have exterior witness lines and small alignment features machined into the end of the baffle to maintain exhaust port alignment.

Ensure each baffle is lined up and the index tabs are engaged. Place the main tube (G) with attached piston assembly over the baffle stack, slide the tube to the edge of a surface and flip it to the other end (use your finger to hold the baffles in place).

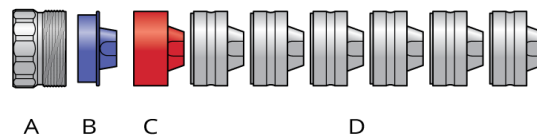
Attach the end cap. Note: One blue baffle (B) is in the end cap (A).

Hand tighten. Ready for use.

ITEM NO.	PART NO.	QTY.
A	END CAP	1
B	BAFFLE - BLUE*	2
C	BAFFLE - RED*	2
D	BAFFLE - BLACK*	8
E	EXTENSION TUBE*	1
F	O-RING H70-025*	1
G	MAIN TUBE	1
H	PISTON HOUSING	1
I	.578 PISTON	1
J	BUFFER SPRING	1
K	O-RING H70-018*	1
L	PISTON CAP	1



\*Note: the extension tube with the blue baffle, one red baffle, and two black baffles are not used in the compact setup.



\*Note: Don't remove o-rings, part listed for replacement needs only.





## **BANISH GUARANTEE**

If your BANISH® Silencer doesn't significantly reduce the noise of your firearm, as well as recoil, we'll buy it back within 30 days of your ATF approval. If performance concerns are noted, you can send your BANISH Silencer back to be reviewed on a case-by-case basis. We will field test your BANISH Silencer and provide documentation of actual noise reduction and/or recoil results to satisfy our commitment to performance satisfaction. Additionally, we guarantee the quality and craftsmanship of your BANISH Silencer. After you are approved and you receive your BANISH Silencer, you may return your BANISH Silencer to Silencer Central for a full refund in the form of a Silencer Central e-gift card (tax stamp not included). All returns must be within 30 days of delivery signature.

The following terms and conditions apply:

- This offer only applies after the Form 4 is approved by the ATF. BANISH Silencer orders cannot be canceled or refunded while the Form 4 is pending.
- Tax stamp payments will not be refunded.
- The value of any promotional items earned as part of the original purchase will be deducted from the refunded amount.
- To process a return, you must first contact Silencer Central to receive a return authorization number and begin the Form 4 submission process to transfer the BANISH Silencer back. At that time, you will receive instructions on how and when to return the BANISH Silencer. Following these instructions is required.
- ATF approval is required before the BANISH Silencer can be returned to Silencer Central. Silencer Central is not responsible for any delays caused by the ATF.
- The refund will be given once Silencer Central receives said BANISH Silencer back into our NFA inventory.
- To receive a full refund, all respective accessories, cases, manuals, and original packaging must accompany your returned BANISH Silencer. Your original approved Form 4 is also required.
- All refunds will be in the form of a Silencer Central Gift Certificate, which is transferrable but not redeemable for cash.
- Please Note: Silencer Central reserves the right, in Silencer Central's sole discretion, to modify this guarantee at any time and without notice. Moreover, Silencer Central reserves the right to refuse specific cases deemed fraudulent, in Silencer Central's sole determination.

## **RETURN SHIPPING**

The cost of shipping for any items returned to Silencer Central is the responsibility of the customer, with the exception of warranty claim returns. Return shipping to Silencer Central for warranty claims and/or repairs are covered by Silencer Central as long as Customer Service is contacted in advance and a warranty claim form is completed by the customer.



# BANISH

## LIFETIME WARRANTY

We provide a lifetime warranty against all manufacturing defects and damages caused by the normal use of our products. We will repair or replace free of charge any suppressor manufactured by, or at the direction of, BANISH Suppressors. The product is sold "as is" with no further implied contractual rights or warranties beyond those expressly stated herein.

The lifetime warranty does not apply to certain conditions or acts. It is at the sole discretion and determination of BANISH Suppressors if a defect or condition is covered by this warranty. Conditions not covered include, but are not limited to: modifications, abuse, neglect, use of defective ammunition, use of improperly sized ammunition, and criminal conduct. BANISH Suppressors assumes no liability for damages or bodily injury caused by such acts or omissions as previously described. Abuse and neglect are defined as usage outside of the reasonable scope for which the product is intended, thus contributing to the accelerated and unreasonable premature wear of the suppressor itself.

If a repair is required, the owner must contact our Customer Service Department. Our customer service representative will arrange for return of the suppressor at manufacturer's shipping expense. **PLEASE DO NOT SHIP THE SUPPRESSOR FOR REPAIR WITHOUT FIRST CONTACTING CUSTOMER SERVICE AND DO NOT SHIP IN ANY EVENT WITHOUT A COPY OF THE APPROVED BATFE FORM.**

When you ship the suppressor back to the manufacturer, please include a detailed statement concerning the type of defect or malfunction encountered, describe the ammunition used and type of host weapon the product was used on or attached to.

If for any reason your suppressor is not eligible for repair or replacement, you may purchase a replacement suppressor for 50% off the MSRP for a same or similar suppressor.

Please contact our Customer Service Department at 888-781-8778 for further details and requirements.

### THE BANISH™ BETTER SUPPRESSOR GUARANTEE

BANISH Suppressors already ship with an ironclad warranty against defects in manufacturing. But they also ship with a guarantee of satisfaction and performance. If your BANISH Suppressor doesn't significantly reduce the report and recoil of your firearm, we'll buy it back - No Questions Asked.

If your BANISH Suppressor doesn't significantly reduce the report of your firearm, as well as recoil, we'll buy it back within 30 days - no questions asked! After your Form 4 is approved, you may return your suppressor to BANISH for a full refund in the form of a Gift Certificate (tax stamp not included). All returns must be within 30 days of your Form 4 approval date. We reserve the right, at our sole discretion, to update, change or replace any part of these policies and Agreement by posting updates and changes to our site. It is your responsibility to check our website periodically for changes. This Warranty was last updated January 1, 2024.

Visit [banishsuppressors.com](http://banishsuppressors.com) for guarantee details.