





BANISH

 banishsuppressors.com

 877.904.5292

 info@banishsuppressors.com

BANISH 338

OWNER'S MANUAL



BANISH Suppressors has always had one overriding goal in mind - to make the most user-friendly suppressor on the market. And what is more user-friendly than being multi-caliber? At BANISH Suppressors, we are proud of what we've accomplished, and we want to share with you what makes a BANISH Suppressor stand out from the crowd.

Our unique WhisperTech™ tube is where the BANISH multi-caliber system starts, with a lightweight titanium alloy tube. BANISH Suppressors are light-weight and tough enough for a lifetime of service. The internal baffles handle the gas in such a way that the suppressor significantly reduces recoil as well as sound.

WARNING



To provide for your safety and the effective use of this silencer, it is important that the owner and any user of the silencer read this entire manual and strictly follow the warnings and instructions within. This silencer should be used only by those who are well-versed in the safe operation of firearms.

Failure to follow installation and maintenance instructions in this manual may result in serious personal injury and damage to the firearm.

Suppressed firearms make less noise than unsuppressed firearms and it is easy to forget that they are still capable of causing bodily injury and property damage. Remember, a suppressed firearm should be treated with the same safety and caution as an unsuppressed firearm. Before installing the silencer, be sure that the firearm is unloaded and the action is opened and visibly clear of any ammunition. If you are at all unsure as to the proper procedures to ensure that your firearm is unloaded, please consult your firearm user's manual/instructions and/or contact a properly licensed dealer or the manufacturer of your firearm.

Firearm silencers are user-attached firearm muzzle devices, and as such are subject to improper attachment issues unless the procedures outlined in this manual are followed precisely.

Check the fit between your barrel and silencer before firing! The thread mount must be fully shouldered on the barrel. For direct thread silencers, there should be no visible gap between the barrel shoulder and the face of the silencer thread mount (crush washer from muzzle brake must be removed).

For quick detach suppressors, the muzzle brake must be seated to the shoulder of the firearm and timed properly using the shim kits provided.

If there is any gap DO NOT fire the host with the silencer attached. Poor accuracy and product damage may result if the silencer is not seated against thread shoulder.

Silencers must be free of obstructions such as mud, dirt, etc. DO NOT attempt to shoot through an obstructed silencer.

The silencer is designed to suppress the initial muzzle blast and subsequent projectile de-corking pressure. The silencer doesn't contact or otherwise interact with the bullet, allowing the projectile to travel at its default speed.

A sonic crack may be produced by the projectile as it breaks the sound barrier. This is solely a function of the projectile breaking the sound barrier and is not related to product performance.

To ensure your silencer remains secure while firing, it is of the utmost importance that you frequently verify the silencer is securely tightened onto the barrel. We recommend checking the security of the attachment after 5 discharges of the firearm and every 30 discharges thereafter.

Before removing the silencer from the host firearm, be sure that the firearm is unloaded, and the action is opened so that it is visibly clear of any ammunition. When removing the silencer, use extreme caution as it may be hot to the touch after firing. Use a Devour™ suppressor cover (sold separately) or gloves to avoid burns or other injuries.

Once the silencer is removed from the host firearm, BANISH recommends using a thread protector or other muzzle device to protect the muzzle threads and crown during storage or transport.

The Banish 338 is the most compact, lightweight .338 magnum rated suppressor in the Banish Line. The Banish 338 works with all of your rifle calibers from 5.56/.223 to .338 Lapua, but is specifically designed for the high pressure of .338 Lapua Magnum cartridges.

All Banish suppressors have been designed for unmatched sound suppression. Testing shows that Banish 338 has an average, at ear, meter reading of 133.5 dB when tested on a 22" 338 Lapua Mag using Hornady Match Grade ELD 285Gr bullets. Like all Banish suppressors, the Banish 338 is made from a strong, Titanium alloy for unmatched durability, at an extremely light weight.

The Banish 338 comes as a 9.1-inch suppressor holding eight titanium STifle™ baffles, and one inconel accuracy baffle to minimize POI shift when installed.

Perfect for the range, but also a plus for in-the-field while hunting, the Banish 338 will significantly reduce the report and recoil of large-caliber rifles, while still being effective on rifles down to your 5.56/.223 Remington.



SPECS

LENGTH: 9.1" | **DIAMETER:** 1.54" | **WEIGHT:** 17.5 oz | **MATERIAL:** TITANIUM
THREAD PITCH: 5/8x24 | **CALIBER:** .338 | **CALIBER RANGE:** .223 - .338
COLOR: Black | **FINISH:** GUN KOTE | **FULLY AUTO RATED:** YES
SOUND REDUCTION: UP TO 33 DB | **MOUNT STYLE:** DIRECT THREAD
LIFETIME WARRANTY: YES | **SELF-SERVICE:** YES

INSTALLATION OF SUPPRESSOR

Always ensure the firearm is unloaded when attaching or removing suppressor. After confirming that your firearm is unloaded, place the threaded end of the BANISH 338 in line with the threads of the barrel.

Ensure the threads on the barrel and suppressor are clean and undamaged, screw the suppressor onto the barrel threads until the suppressor firmly seats against shoulder.

Take special care to avoid cross-threading as damage to the suppressor and barrel threads will result, as well as misalignment of the suppressor with the bore of the firearm.

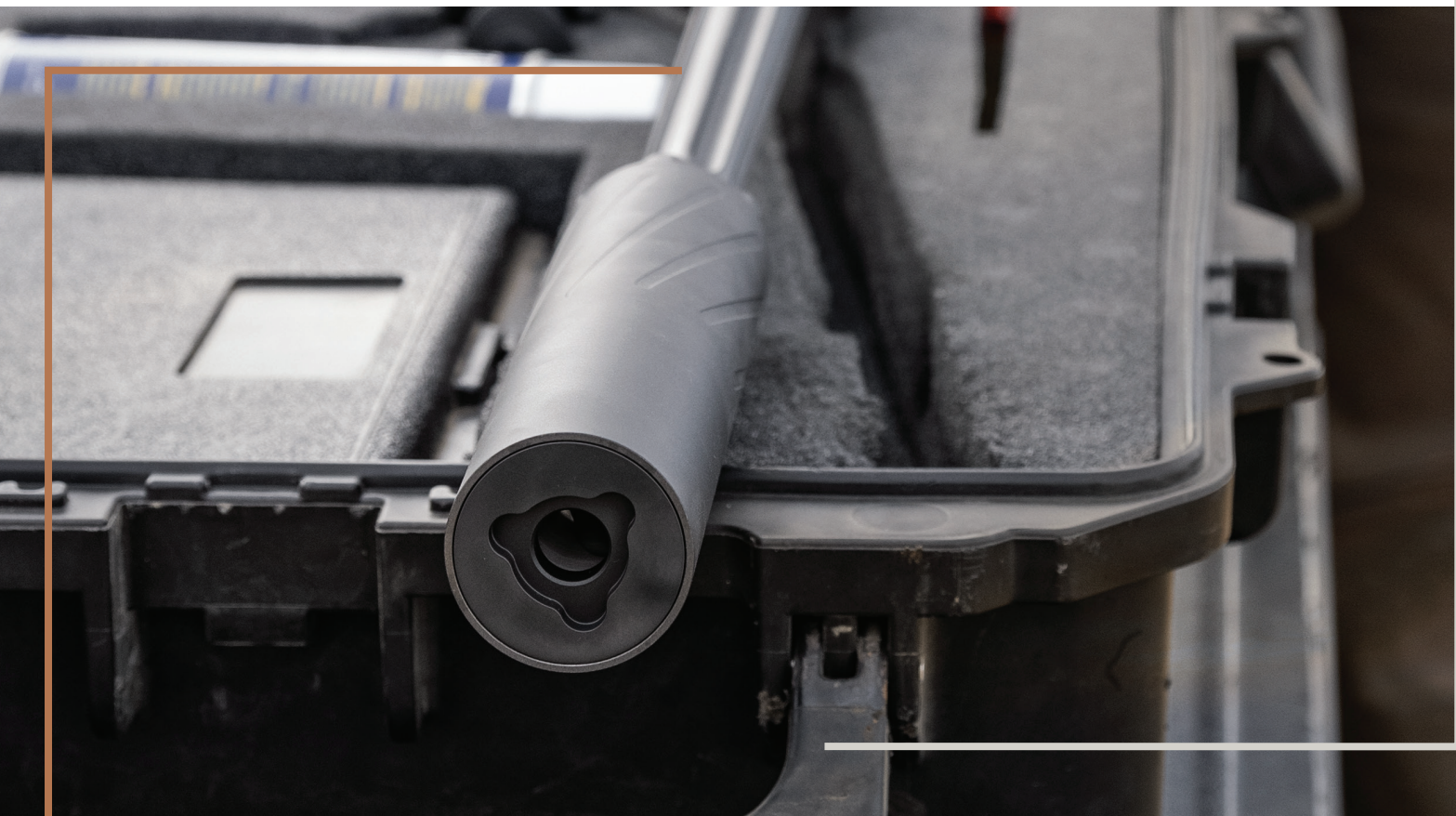
This may result in a potential baffle strike that could cause serious personal injury and damage to both the firearm and suppressor. Since direct thread mounted suppressors can loosen or unscrew during firing, it is extremely important that the operator frequently checks that the silencer remains securely threaded to the barrel.

Please note, the suppressor will be very hot during and after firing. Wait until the suppressor cools or use a Devour™ suppressor cover to retighten.

Hand tighten only. Ready for use.

The BANISH 338 is rated up to .338 Lapua with a 16" barrel and is limited full auto rated. It is not recommended to use on barrels shorter than 16" as it may create more wear on the first blast baffle.

Firing more than 20 rounds rapid fire (less than one minute) will cause premature wear on the baffles. It is recommended that the suppressor be allowed to cool between rapid fire sessions.



DISASSEMBLY AND CLEANING

It is recommended that the suppressor be cleaned every 50 - 100 rounds fired. The use of solid lead or plated lead bullets is not recommended.

To disassemble make sure the firearm is unloaded and remove from host firearm.

Using the provided tool key and T-45 torx wrench, remove the end cap of the suppressor. For best results, we recommend permanently attaching the T-45 torx wrench and the tool key together. This can be done with "JB Weld" or similar product found at any local hardware store.

The end cap of the suppressor that attaches to the barrel of the firearm is not intended to be removed from the main tube of the suppressor.

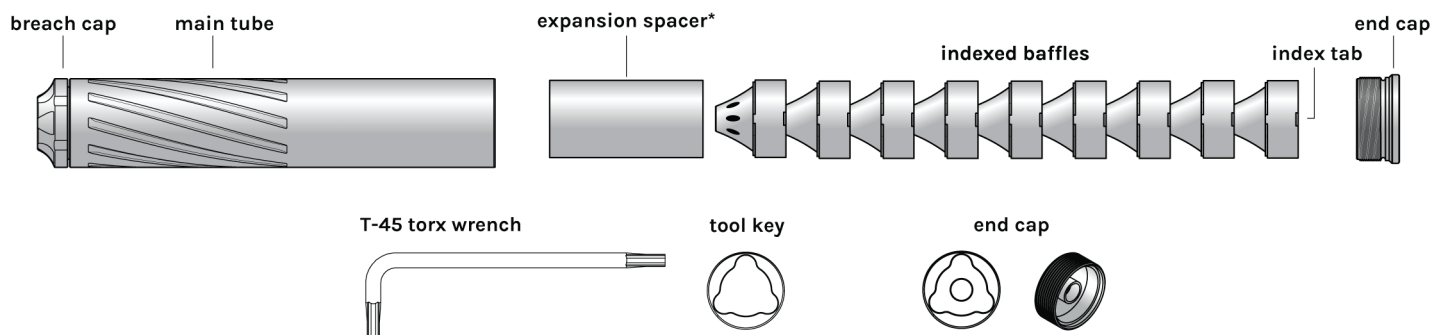
Using your solvent of choice, spray the inside of the suppressor and let sit for 24 hours.

Push baffles out of the tube with our Baffle Removal Tool (sold separately) or a wooden dowel.

The suppressor has nine baffles, one accuracy baffle followed by eight STifle™ baffles. Care must be taken when reassembling.

Use a stiff bristle brush (brass or nylon) with solvent / carbon killer of choice to clean the baffles and inside the tube.

Make sure all parts are clean and solvent has been removed.



ASSEMBLY

Using a flat surface, stack eight matching baffles on top of each other. Make sure the indexing tabs are aligned and fully engaged in each corresponding baffle.

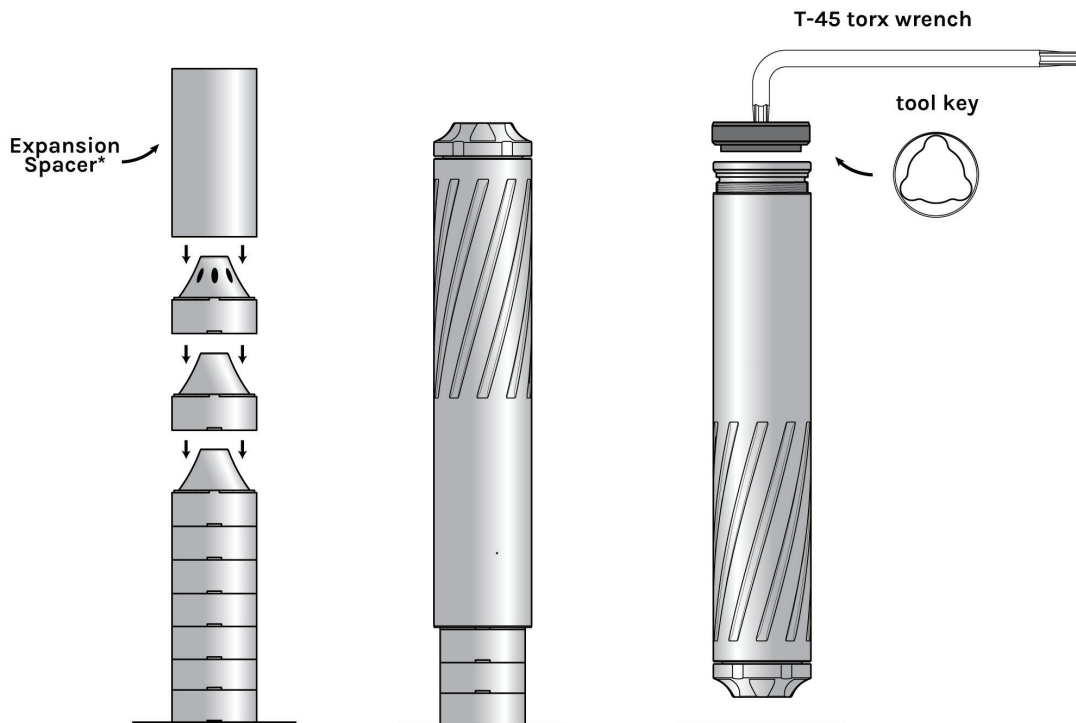
Stack accuracy baffle on top of the eight baffles. Make sure the index tab from the baffles is fully engaged in the accuracy baffle.

Slide the tube over the baffle stack. Keeping the tube in the upright position, with one hand, slide the centerline of the tube to the edge of the table. While holding the tube with one hand, use one finger on the other hand to push the baffles up the tube.

Flip the assembly over so the open end is up. Apply anti-seize to the threads before installing the end cap.

Lightly tighten the end cap, when the baffles are properly aligned the red o-ring will not be easily visible and only the 45 degree bevel on the end cap will be exposed (approximately 1/32"). If more than 1/32" is exposed, or the o-ring is easily visible, the tabs on the baffles are not properly aligned.

Finish tightening end cap to 40 inch pounds.



*As mentioned, the expansion spacer will not come out once the suppressor has been fired. In rare cases, the spacer may dislodge and come out during disassembly. Simply clean and position the spacer on top of the baffles as show in the illustration above. Continue assembly as instructed.



BANISH GUARANTEE

If your BANISH® Silencer doesn't significantly reduce the noise of your firearm, as well as recoil, we'll buy it back within 30 days of your ATF approval. If performance concerns are noted, you can send your BANISH Silencer back to be reviewed on a case-by-case basis. We will field test your BANISH Silencer and provide documentation of actual noise reduction and/or recoil results to satisfy our commitment to performance satisfaction. Additionally, we guarantee the quality and craftsmanship of your BANISH Silencer. After you are approved and you receive your BANISH Silencer, you may return your BANISH Silencer to Silencer Central for a full refund in the form of a Silencer Central e-gift card (tax stamp not included). All returns must be within 30 days of delivery signature.

The following terms and conditions apply:

- This offer only applies after the Form 4 is approved by the ATF. BANISH Silencer orders cannot be canceled or refunded while the Form 4 is pending.
- Tax stamp payments will not be refunded.
- The value of any promotional items earned as part of the original purchase will be deducted from the refunded amount.
- To process a return, you must first contact Silencer Central to receive a return authorization number and begin the Form 4 submission process to transfer the BANISH Silencer back. At that time, you will receive instructions on how and when to return the BANISH Silencer. Following these instructions is required.
- ATF approval is required before the BANISH Silencer can be returned to Silencer Central. Silencer Central is not responsible for any delays caused by the ATF.
- The refund will be given once Silencer Central receives said BANISH Silencer back into our NFA inventory.
- To receive a full refund, all respective accessories, cases, manuals, and original packaging must accompany your returned BANISH Silencer. Your original approved Form 4 is also required.
- All refunds will be in the form of a Silencer Central Gift Certificate, which is transferrable but not redeemable for cash.
- Please Note: Silencer Central reserves the right, in Silencer Central's sole discretion, to modify this guarantee at any time and without notice. Moreover, Silencer Central reserves the right to refuse specific cases deemed fraudulent, in Silencer Central's sole determination.

RETURN SHIPPING

The cost of shipping for any items returned to Silencer Central is the responsibility of the customer, with the exception of warranty claim returns. Return shipping to Silencer Central for warranty claims and/or repairs are covered by Silencer Central as long as Customer Service is contacted in advance and a warranty claim form is completed by the customer.



BANISH

LIFETIME WARRANTY

We provide a lifetime warranty against all manufacturing defects and damages caused by the normal use of our products. We will repair or replace free of charge any suppressor manufactured by, or at the direction of, BANISH Suppressors. The product is sold "as is" with no further implied contractual rights or warranties beyond those expressly stated herein.

The lifetime warranty does not apply to certain conditions or acts. It is at the sole discretion and determination of BANISH Suppressors if a defect or condition is covered by this warranty. Conditions not covered include, but are not limited to: modifications, abuse, neglect, use of defective ammunition, use of improperly sized ammunition, and criminal conduct. BANISH Suppressors assumes no liability for damages or bodily injury caused by such acts or omissions as previously described. Abuse and neglect are defined as usage outside of the reasonable scope for which the product is intended, thus contributing to the accelerated and unreasonable premature wear of the suppressor itself.

If a repair is required, the owner must contact our Customer Service Department. Our customer service representative will arrange for return of the suppressor at manufacturer's shipping expense. **PLEASE DO NOT SHIP THE SUPPRESSOR FOR REPAIR WITHOUT FIRST CONTACTING CUSTOMER SERVICE AND DO NOT SHIP IN ANY EVENT WITHOUT A COPY OF THE APPROVED BATFE FORM.**

When you ship the suppressor back to the manufacturer, please include a detailed statement concerning the type of defect or malfunction encountered, describe the ammunition used and type of host weapon the product was used on or attached to.

If for any reason your suppressor is not eligible for repair or replacement, you may purchase a replacement suppressor for 50% off the MSRP for a same or similar suppressor.

Please contact our Customer Service Department at 888-781-8778 for further details and requirements.

THE BANISH™ BETTER SUPPRESSOR GUARANTEE

BANISH Suppressors already ship with an ironclad warranty against defects in manufacturing. But they also ship with a guarantee of satisfaction and performance. If your BANISH Suppressor doesn't significantly reduce the report and recoil of your firearm, we'll buy it back - No Questions Asked.

If your BANISH Suppressor doesn't significantly reduce the report of your firearm, as well as recoil, we'll buy it back within 30 days - no questions asked! After your Form 4 is approved, you may return your suppressor to BANISH for a full refund in the form of a Gift Certificate (tax stamp not included). All returns must be within 30 days of your Form 4 approval date. We reserve the right, at our sole discretion, to update, change or replace any part of these policies and Agreement by posting updates and changes to our site. It is your responsibility to check our website periodically for changes. This Warranty was last updated January 1, 2024.

Visit banishsuppressors.com for guarantee details.