

BANISH™

MULTI-CALIBER SUPPRESSORS





BANISH™ Suppressors are the original multi-caliber suppressor and have been setting the standard for modular suppressor design since 2009. As “the one that fits any gun,” BANISH Suppressors are more than just a multi-caliber suppressor, they are also packed full of innovative design features that BANISH both sound and recoil.

BANISH Suppressors has always had one overriding goal in mind - to make the most user-friendly suppressor on the market. And what is more user-friendly than being multi-caliber and user-serviceable? At BANISH Suppressors, we are proud of what we've accomplished, and we want to share with you what makes a BANISH Suppressor stand out from the crowd.

Our unique WhisperTech™ tube is where the BANISH multi-caliber system starts, with a lightweight titanium alloy tube. BANISH Suppressors are light-weight and tough enough for a lifetime of service. The internal baffles handle the gas in such a way that the suppressor significantly reduces recoil as well as sound. Cleaning your can isn't a problem with our CanClean™ technology, making this one of the fastest cleaning suppressors on the market.

WARNING

To provide for your safety and the effective use of this silencer, it is important that the owner and any user of the silencer read this entire manual and strictly follow the warnings and instructions within. This silencer should be used only by those who are well-versed in the safe operation of firearms.

Failure to follow installation and maintenance instructions in this manual may result in serious personal injury and damage to the firearm.

Suppressed firearms make less noise than unsuppressed firearms and it is easy to forget that they are still capable of causing bodily injury and property damage. Remember, a suppressed firearm should be treated with the same safety and caution as an unsuppressed firearm.

Before installing the silencer, be sure that the firearm is unloaded and the action is opened and visibly clear of any ammunition. If you are at all unsure as to the proper procedures to ensure that your firearm is unloaded, please consult your firearm user's manual/instructions and/or contact a properly licensed dealer or the manufacturer of your firearm.

Firearm silencers are user-attached firearm muzzle devices, and as such are subject to improper attachment issues unless the procedures outlined in this manual are followed precisely.

Check the fit between your barrel and silencer before firing! The thread mount must be fully shouldered on the barrel. There should be no visible gap between the barrel shoulder and the face of the silencer thread mount (*crush washer from muzzle brake must be removed*).

If there is any gap DO NOT fire the host with the silencer attached. Poor accuracy and product damage may result if the silencer is not seated against thread shoulder.

Silencers must be free of obstructions such as mud, dirt, etc. DO NOT attempt to shoot through an obstructed silencer.

The silencer is designed to suppress the initial muzzle blast and subsequent projectile de-corking pressure. The silencer doesn't contact or otherwise interact with the bullet, allowing the projectile to travel at its default speed.

A sonic crack may be produced by the projectile as it breaks the sound barrier. This is solely a function of the projectile breaking the sound barrier and is not related to product performance.

To ensure your silencer remains secure while firing, it is of the utmost importance that you frequently verify the silencer is securely tightened onto the barrel. We recommend checking the security of the attachment after 30 discharges of the firearm.

Before removing the silencer from the host firearm, be sure that the firearm is unloaded and the action is opened so that it is visibly clear of any ammunition. When removing the silencer, use extreme caution as it may be hot to the touch after firing. Wait for your silencer to cool or use heat resistant gloves to avoid burns or other injuries.

Once the silencer is removed from the host firearm, BANISH recommends using a thread protector or other muzzle device to protect the muzzle threads and crown during storage or transport.

CALIBERS & RESTRICTIONS

.22 Short

.22 LR*

.17 WSM

.17 HMR

.22 WMR

.22 HORNET

5.7 X 28 MM

Multi-caliber compatibility and
rated for full auto fire (*22 LR only)

1/2 x 28 TPI

User-serviceable

DIAMETER

1"

WEIGHT

4.1 OZ

LENGTH

5-3/8"

BAFFLES

8

MATERIAL

100% Titanium



The BANISH 22 was designed for rimfire rifles and pistols, .22 caliber and smaller (including .22 Hornet).

The BANISH 22 has eight STifle™ baffles which, thanks to Link Together Connection™, makes them easy to assemble, while keeping lead debris and carbon from fusing the baffles together and preventing this buildup from reaching the tube. (Components won't get fused in place.)

The BANISH 22 mounts on conventional 1/2 X 28 (Class 3A) threads .400" in length.

The BANISH 22 suppressor is ideal for varmint shooting, small game hunting or target practice.

Note: .22 Long rifle projectiles are not jacketed. As a result, lead can build up, along with carbon produced by the burning of the powder.

Most .22 suppressors can be disassembled for cleaning. Cleaning is required every 100 - 200 rounds to avoid having the baffles fuse together.

If the lead and carbon get around the baffles (building up on the inside of the tube), it can prevent disassembly altogether. This will result in the baffles not being able to slide out past the buildup.

BANISH™
22



INSTALLATION OF SUPPRESSOR

Always ensure the firearm is unloaded when attaching or removing suppressor.

Remove the magazine from the firearm, retract the bolt or slide and lock it open.

Visually and physically inspect the chamber to ensure the firearm is empty and unloaded. Engage the safety.

Ensure the threads on the barrel and suppressor are clean and undamaged, screw the suppressor onto the barrel threads until the suppressor firmly seats against shoulder.

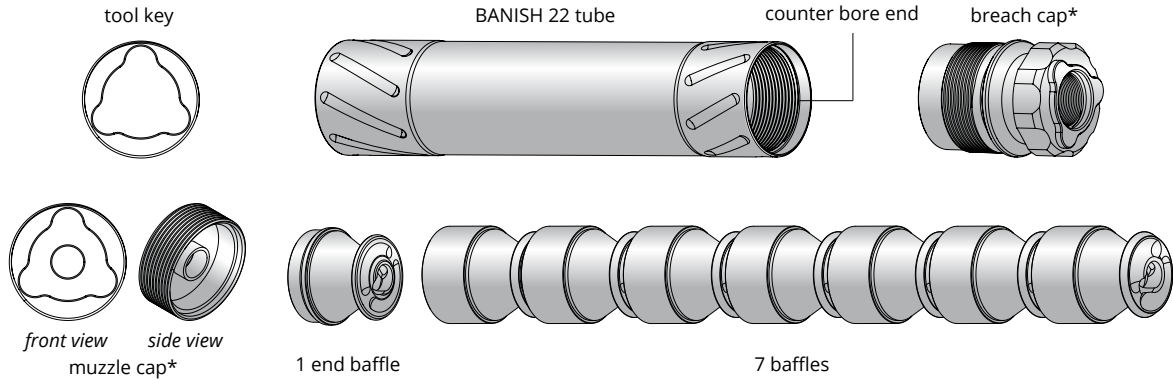
Take special care to avoid cross-threading as damage to the suppressor and barrel threads will result, as well as

misalignment of the suppressor with the bore of the firearm. This may result in a potential baffle strike that could cause serious personal injury and damage to both the firearm and suppressor.

Since thread mounted suppressors can loosen or unscrew during firing, it is extremely important that the operator frequently checks that the silencer remains securely threaded to the barrel.

Please note the suppressor will be very hot during and after firing. Wait until the suppressor cools or use a heat resistant glove to retighten and protect from burns.

Hand tighten only. Ready for use.



**Coated with Tribodone™ 41 DLC to ensure no Titanium galling and enhance long-term lubricity.*

DISASSEMBLY AND CLEANING

It is recommended that the suppressor be cleaned regularly. To disassemble make sure the firearm is unloaded and remove from host firearm.

Using the provided tool key, remove the muzzle cap of the suppressor. Remove the breach cap.

Soak the inside of the tube and baffles with a penetrating oil and let sit for 1 - 2 hours. If excessive fouling has occurred, our Baffle Remove Tool (sold separately) can be used to push the baffles out. Care must be taken to avoid damage to the baffles.

Scrub the baffles and tube with a nylon brush to remove carbon deposits. Once all parts are clean and dry, add a light film of oil on the baffles, to aid in assembly.

ASSEMBLY

Apply a small amount of grease or anti-seize to the threads inside the tube.

Inside the tube, locate the end with the counter bore (short end) and install the breach cap hand tight. If the breach cap fails to shoulder against the tube it is on the wrong end.

Reinstall the baffles into the tube placing the shortest baffle last. Each baffle has a faint line etched on the side to aid in alignment.

Reinstall the muzzle cap hand tight with the provided key tool.

BANISH™ Suppressor Lifetime Warranty

We provide a lifetime warranty against all manufacturing defects and damages caused by the normal use of our products. We will repair or replace free of charge any suppressor manufactured by, or at the direction of, BANISH Suppressors. The product is sold “as is” with no further implied contractual rights or warranties beyond those expressly stated herein.

The lifetime warranty does not apply to certain conditions or acts. It is at the sole discretion and determination of BANISH Suppressors if a defect or condition is covered by this warranty. Conditions not covered include, but are not limited to: modifications, abuse, neglect, use of defective ammunition, use of improperly sized ammunition, and criminal conduct. BANISH Suppressors assumes no liability for damages or bodily injury caused by such acts or omissions as previously described. Abuse and neglect are defined as usage outside of

the reasonable scope for which the product is intended, thus contributing to the accelerated and unreasonable premature wear of the suppressor itself.

If a repair is required, the owner must contact our Customer Service Department. Our customer service representative will arrange for return of the suppressor at manufacturer’s shipping expense. PLEASE DO NOT SHIP THE SUPPRESSOR FOR REPAIR WITHOUT FIRST CONTACTING CUSTOMER SERVICE AND DO NOT SHIP IN ANY EVENT WITHOUT A COPY OF THE APPROVED BATFE FORM.

When you ship the suppressor back to the manufacturer, please include a detailed statement concerning the type of defect or malfunction encountered, describe the ammunition used and type of host weapon the product was used on or attached to.

If for any reason your suppressor is not eligible for repair or replacement, you may purchase a replacement suppressor for 50% off the MSRP for a same or similar suppressor.

Please contact our Customer Service Department at 888-781-8778 for further details and requirements.

banishsuppressors.com
7511 S Louise Ave

888-781-8778
Sioux Falls, SD 57108

THE BANISH™ BETTER SUPPRESSOR GUARANTEE

BANISH Suppressors already ship with an ironclad warranty against defects in manufacturing. But they also ship with a guarantee of satisfaction and performance. If your BANISH Suppressor doesn't significantly reduce the report and recoil of your firearm, we'll buy it back - No Questions Asked.

If your BANISH Suppressor doesn't significantly reduce the report of your firearm, as well as recoil, we'll buy it back within 30 days - no questions asked! After your Form 4 is approved, you may return your suppressor to BANISH for a full refund in the form of a Gift Certificate (tax stamp not included). All returns must be within 30 days of your Form 4 approval date.

Visit banishsuppressors.com for guarantee details.

BANISH™

MULTI-CALIBER SUPPRESSORS



banishsuppressors.com

7511 S Louise Ave

Sioux Falls, SD 57108

888-781-8778